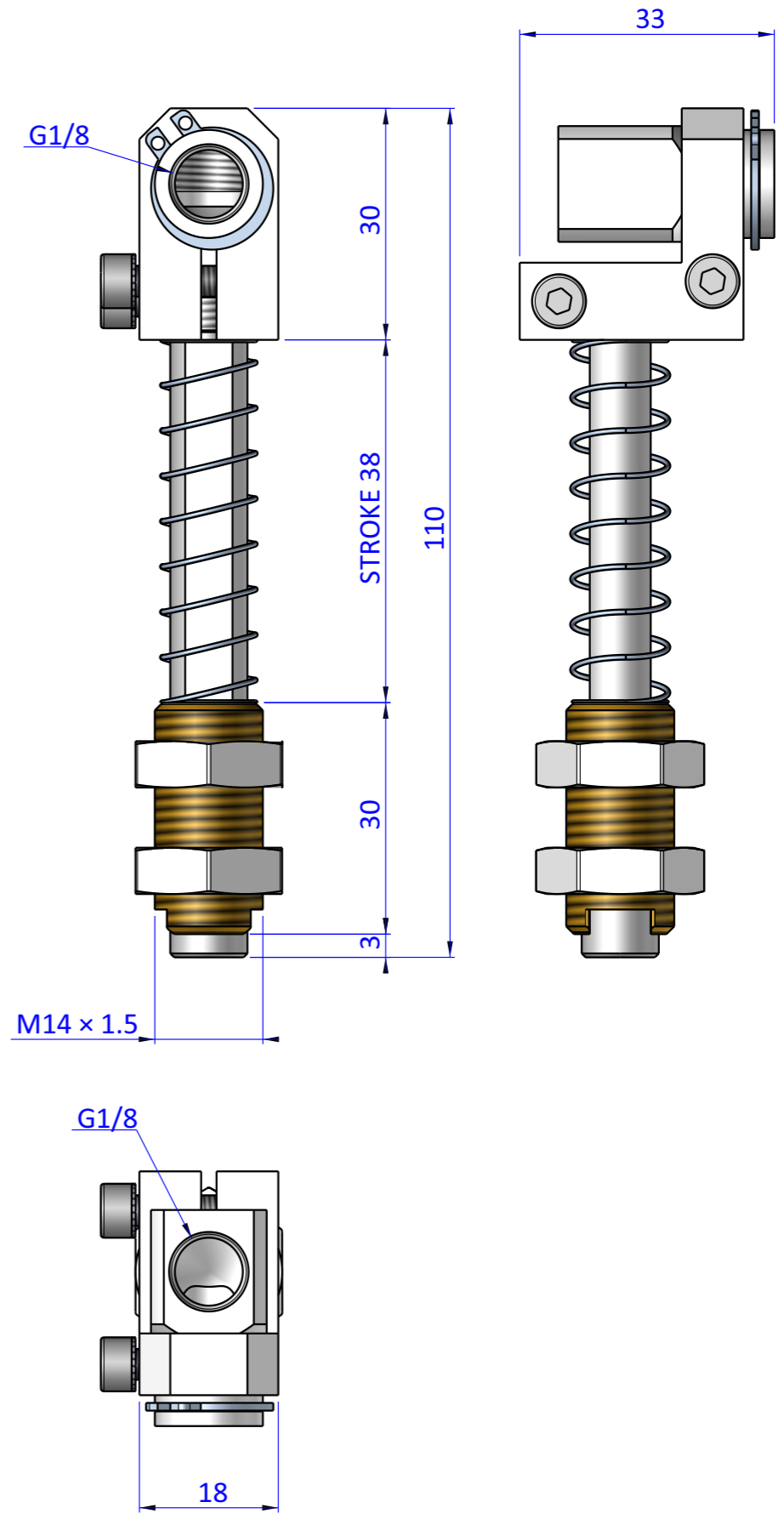
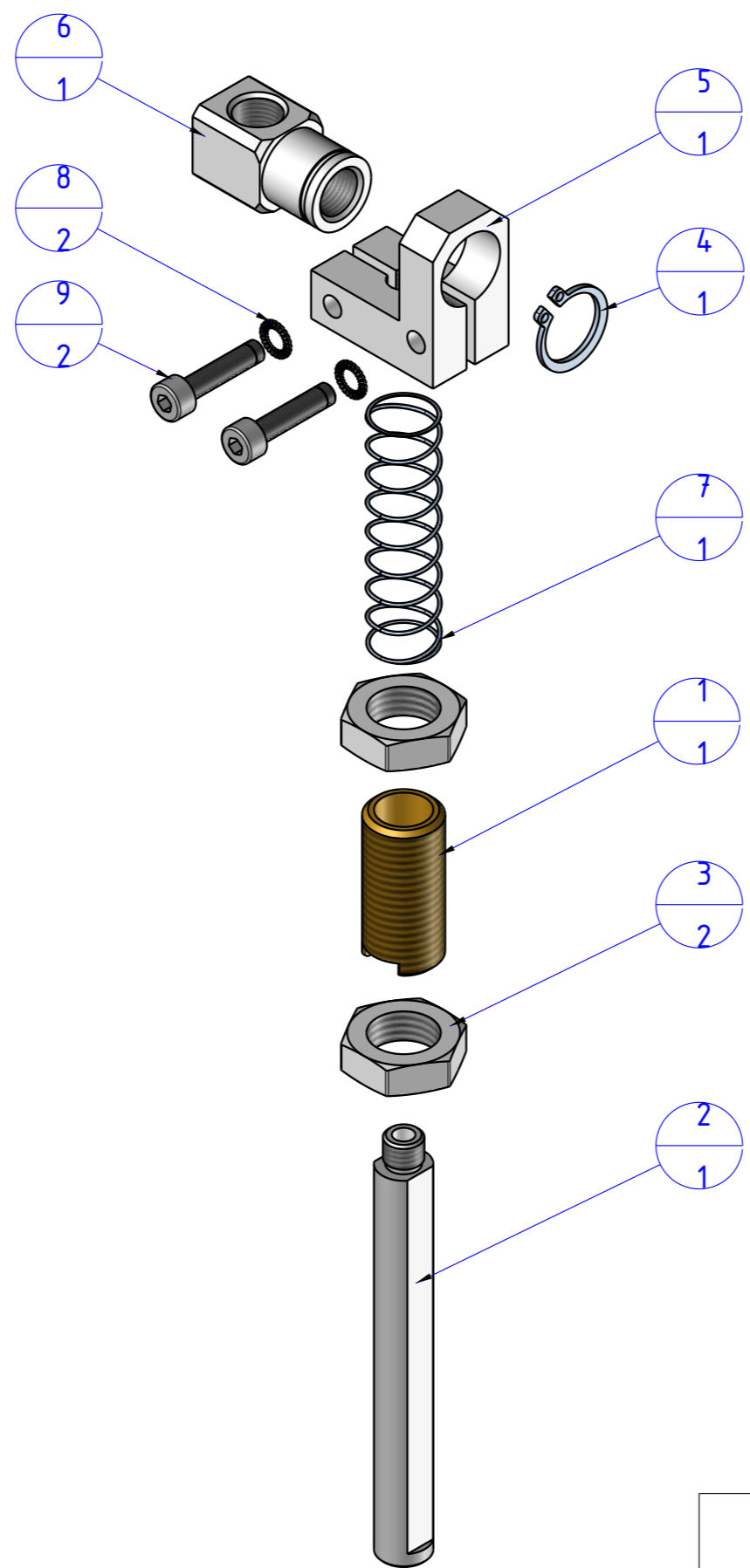



THE PROPERTY OF THE DRAWING IS ESTABLISHED BY LAW. IT IS FORBIDDEN TO PRODUCE OR SHOW IT TO THIRD PART. WITHOUT A WRITTEN AGREEMENT.

Item	Name	Q.ty
1	05.01.001.02	1
2	05.01.001.05	1
3	05.01.001.06	2
4	A.ELA14	1
5	GG.S.01.02	1
6	GG.S.02.02	1
7	M.12x50	1
8	R.4.SCH	2
9	V.TCE4x18	2



Format A3  
UNI 936-76

 <b>FPS</b> FPSERVICES AUTOMATION		DESIGNED FROM <b>FPS Automation</b>		REVIEW <b>A</b>	
		DATE <b>03/03/2021</b>	WEIGHT <b>0,091kg</b>		
GENERAL TOLERANCE UNI - ISO 2768 CLASSE f	DESCRIPTION <b>CA.GGSM141840</b>		CODE <b>CA.GGSM141840</b>		